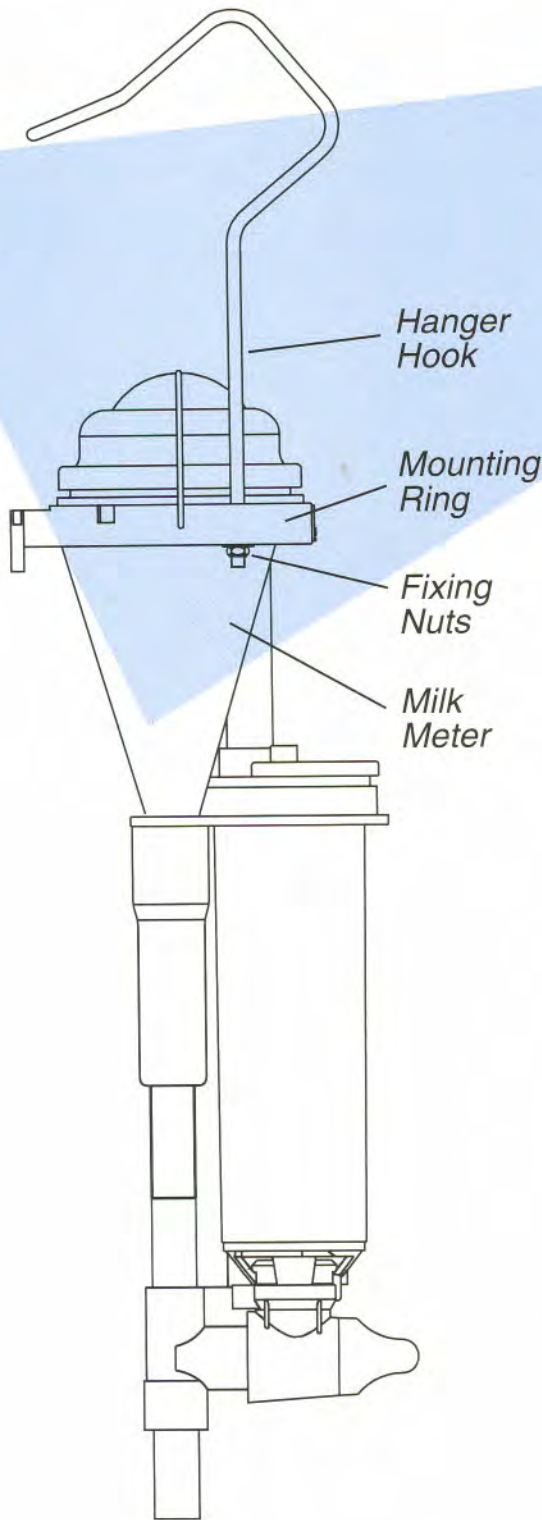


Hanger Hook

The Hanger Hook is a simple and portable bracket system that enables TRU-TEST Milk Meters to be easily installed at different milking points and is ideal for use in stanchion barn installations ...



◀ **Simple design** allows single handed installation of the Meter

Two separate Hanger Hook sizes are available:

◀ **60mm (2¼")** throat size suitable for pipe sizes from ø25mm (1") up to ø60mm (2¼")

90mm (3½") throat size suitable for pipe sizes from ø50mm (2") up to ø90mm (3½")

◀ **Hanger Hook systems will not cause any damage** to glass or stainless steel milk lines



Local Distributor

Tru-Test Asia/Pacific

P.O. Box 51-078,
Auckland, New Zealand
Ph: +64 9 274 5799
Fax: +64 9 274 6367

Tru-Test USA

600 Sandau Rd, Suite 900
San Antonio, Texas, USA
Ph: +1 210 377 2885
Fax: +1 210 377 2932

Tru-Test Australia

P.O. Box 66,
Melbourne, Victoria 3172
Ph: +61 3 558 2537
Fax: +61 3 558 2537

Tru-Test Europe

15 Avenue de Segur
75007 Paris, France
Ph: +33 1 44 18 71 95
Fax: +33 1 44 18 71 99

Tru-Test Central Europe

H-1536 Budapest
P.O. Box 240, Hungary
Ph: +36 1 212 5084
Fax: +36 1 212 5160

Tru-Test Eastern Europe

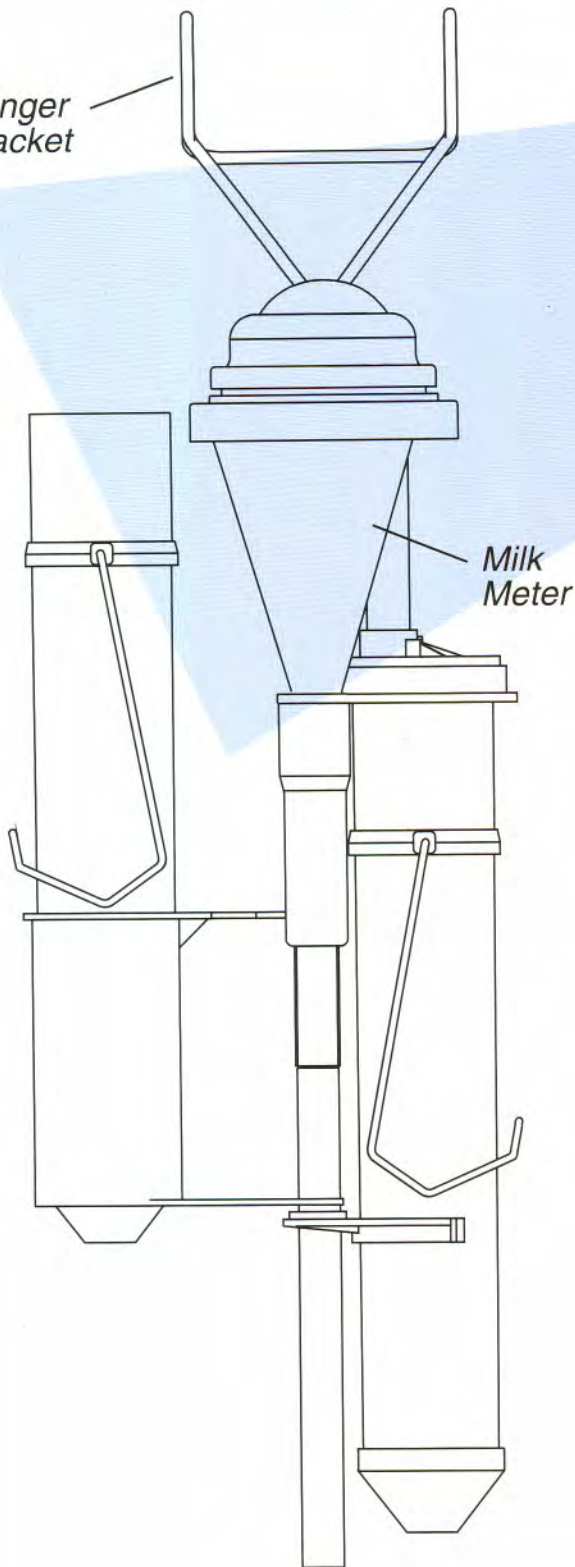
Chladkova 16
616 00 Brno, Czech Rep.
Ph: +42 5 749 616
Fax: +42 5 4121 5238



TRU-TEST®

Milk Meters

Hanger
Bracket



Milk
Meter

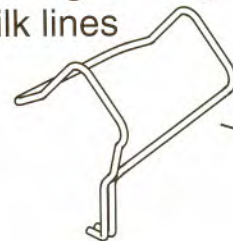
Hanger Bracket

The Hanger Bracket is a portable system that enables TRU-TEST Milk Meters to be easily installed at different milking points and is ideal for use in stanchion barns ...

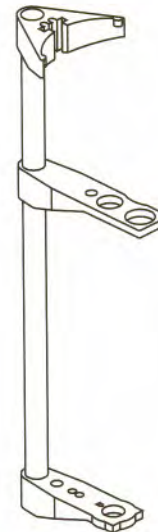
◀ **Simple design** allows single handed pipeline installation of the Meter

◀ **Available in a 60mm throat size only** and is suitable for pipe sizes from $\varnothing 25\text{mm}$ (1") up to $\varnothing 60\text{mm}$ (2¼")

◀ **The Hanger Bracket will not cause any damage** to glass or stainless steel milk lines



Hanger
Hook



Bracket
Set

Local Distributor

Tru-Test Asia/Pacific

P.O. Box 51-078,
Auckland, New Zealand
Ph: +64 9 274 5799
Fax: +64 9 274 6367

Tru-Test USA

600 Sandau Rd, Suite 900
San Antonio, Texas, USA
Ph: +1 210 377 2885
Fax: +1 210 377 2932

Tru-Test Australia

P.O. Box 66,
Melbourne, Victoria 3172
Ph: +61 3 558 2537
Fax: +61 3 558 2537

Tru-Test Europe

15 Avenue de Segur
75007 Paris, France
Ph: +33 1 44 18 71 95
Fax: +33 1 44 18 71 99

Tru-Test Central Europe

H-1536 Budapest
P.O. Box 240, Hungary
Ph: +36 1 212 5084
Fax: +36 1 212 5160

Tru-Test Eastern Europe

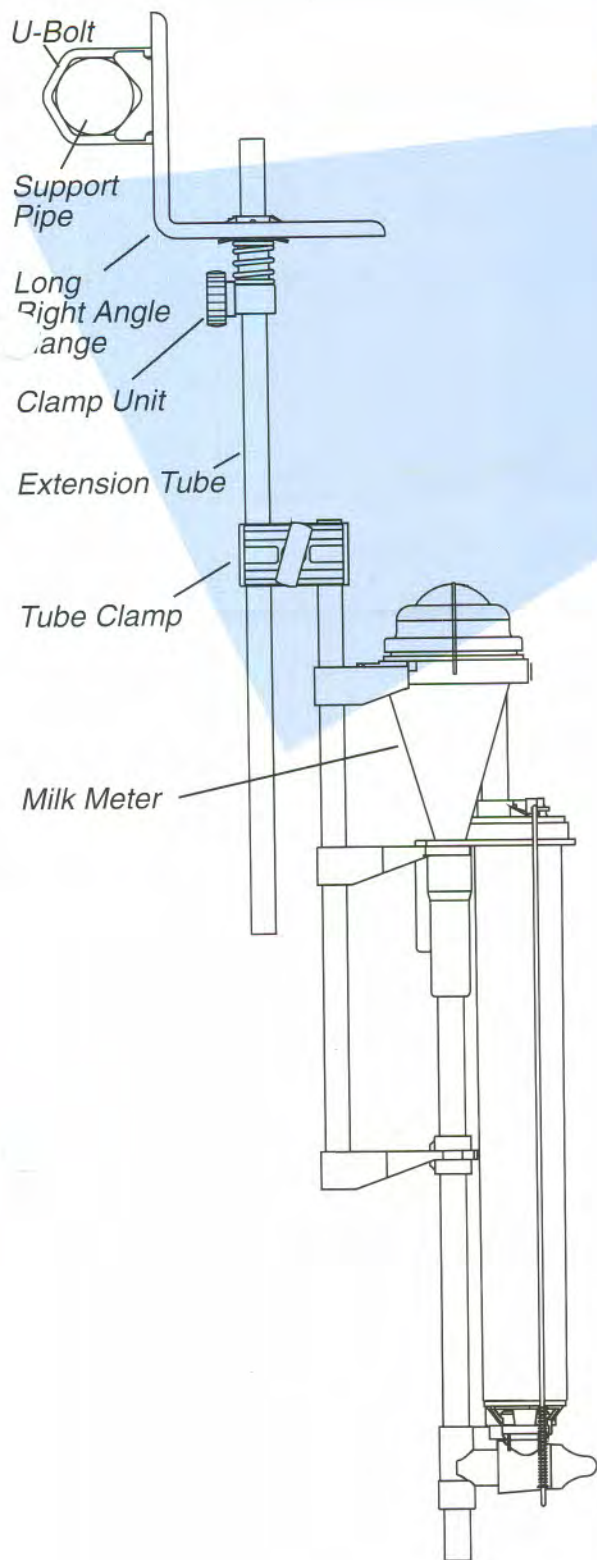
Chlادkova 16
616 00 Brno, Czech Rep.
Ph: +42 5 749 616
Fax: +42 5 4121 5238



TRU-TEST®

Milk Meters

Extendible Tube Bracket



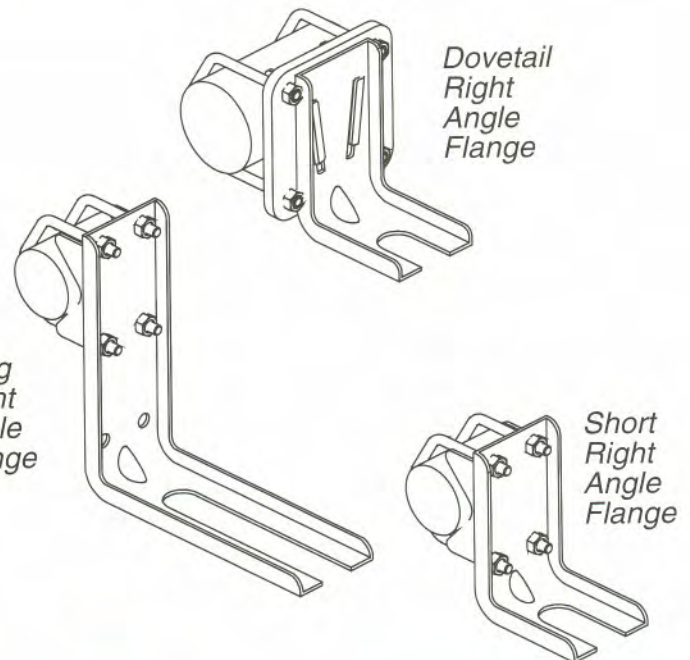
The Extendible Tube Bracket is ideal for setting up TRU-TEST Milk Meters in high-line parlour installations...

▶ The clamp unit allows easy fitting of the Meter to a range of mounting flanges

▶ Mounting flange options include:

- ▶ Short right angle flange set
- ▶ Long right angle flange set
- ▶ Dovetail right angle flange set

▶ The solid extension tube enables versatile height adjustment of the Milk Meter



Local Distributor

Tru-Test Asia/Pacific

P.O. Box 51-078,
Auckland, New Zealand
Ph: +64 9 274 5799
Fax: +64 9 274 6367

Tru-Test USA

600 Sandau Rd, Suite 900
San Antonio, Texas, USA
Ph: +1 210 377 2885
Fax: +1 210 377 2932

Tru-Test Australia

P.O. Box 66,
Melbourne, Victoria 3172
Ph: +61 3 558 2537
Fax: +61 3 558 2537

Tru-Test Europe

15 Avenue de Segur
75007 Paris, France
Ph: +33 1 44 18 71 95
Fax: +33 1 44 18 71 99

Tru-Test Central Europe

H-1536 Budapest
P.O. Box 240, Hungary
Ph: +36 1 212 5084
Fax: +36 1 212 5160

Tru-Test Eastern Europe

Chladkova 16
616 00 Brno, Czech Rep.
Ph: +42 5 749 616
Fax: +42 5 4121 5238



TRU-TEST®

Milk Meters

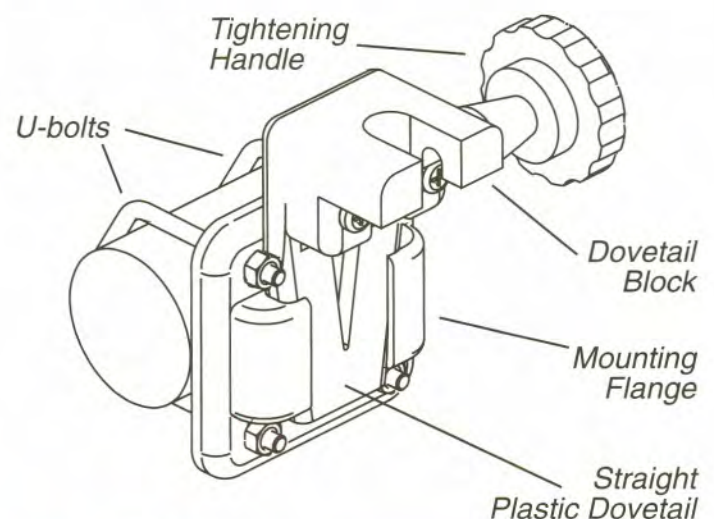
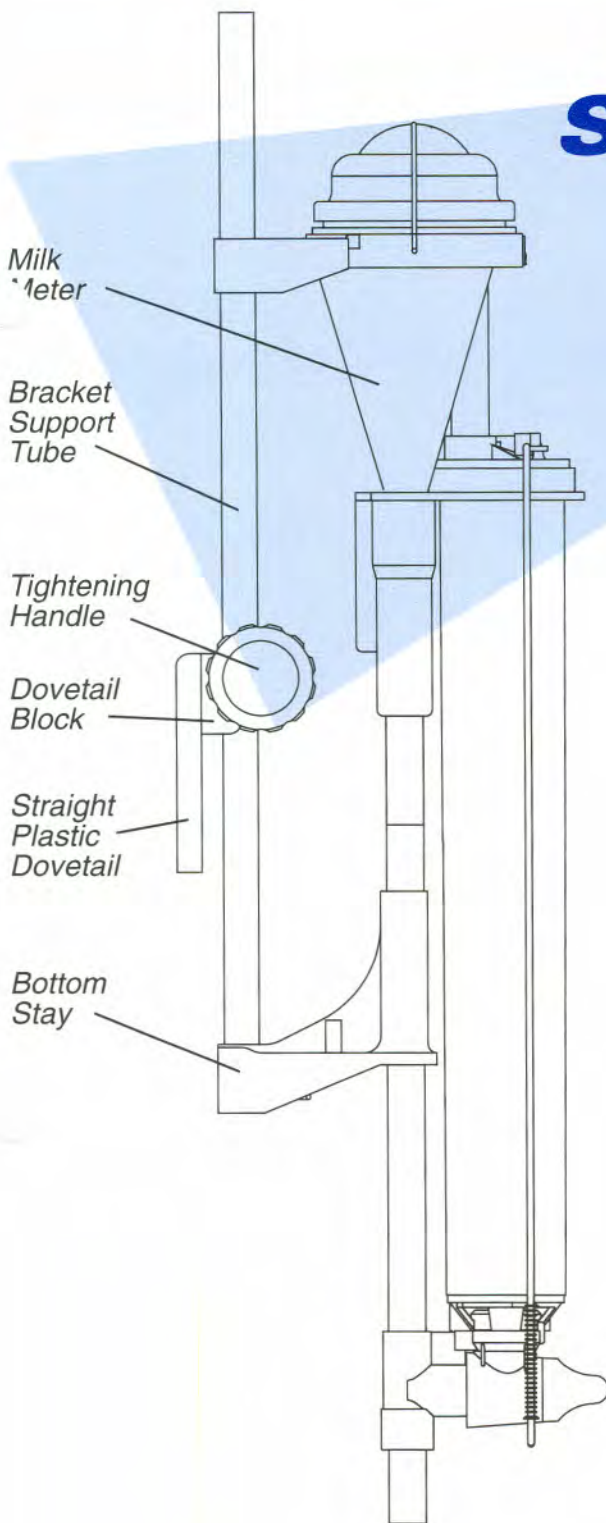
Multi-Grip Straight Dovetail Bracket

The Multi-Grip Straight Dovetail is a new bracket system designed to maximise the options for height adjustment of TRU-TEST Milk Meters and is ideal for use in parlours ...

The dovetail block provides a ◀ **secure grip** when lightly tightened - overtightening is not necessary

A rigid and durable straight plastic dovetail ◀ **allows easy fitting** of the Milk Meter to the mounting flange fixed in the milking installation

The straight dovetail is compatible ◀ **with all mounting flange brands** that are currently available



Local Distributor

Tru-Test Asia/Pacific

P.O. Box 51-078,
Auckland, New Zealand
Ph: +64 9 274 5799
Fax: +64 9 274 6367

Tru-Test USA

600 Sandau Rd, Suite 900
San Antonio, Texas, USA
Ph: +1 210 377 2885
Fax: +1 210 377 2932

Tru-Test Australia

P.O. Box 66,
Melbourne, Victoria 3172
Ph: +61 3 558 2537
Fax: +61 3 558 2537

Tru-Test Europe

15 Avenue de Segur
75007 Paris, France
Ph: +33 1 44 18 71 95
Fax: +33 1 44 18 71 99

Tru-Test Central Europe

H-1536 Budapest
P.O. Box 240, Hungary
Ph: +36 1 212 5084
Fax: +36 1 212 5160

Tru-Test Eastern Europe

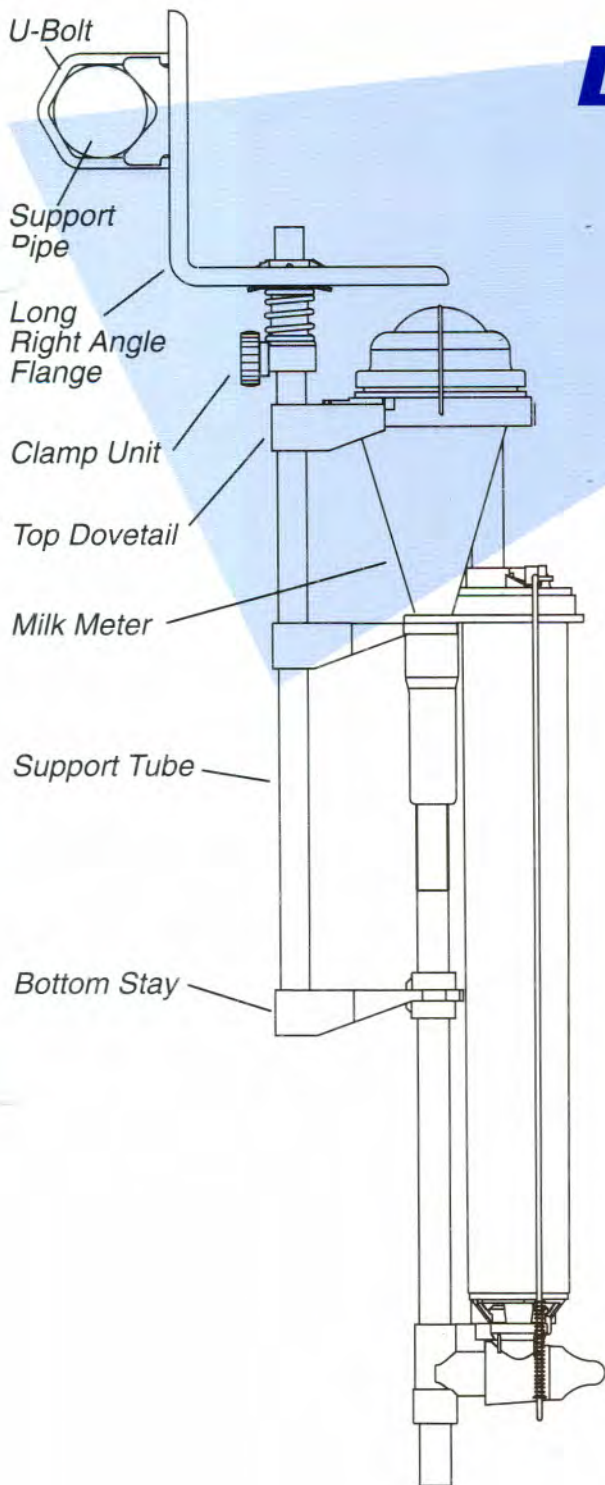
Chladkova 16
616 00 Brno, Czech Rep.
Ph: +42 5 749 616
Fax: +42 5 4121 5238



TRU-TEST®

Milk Meters

Low-line Bracket

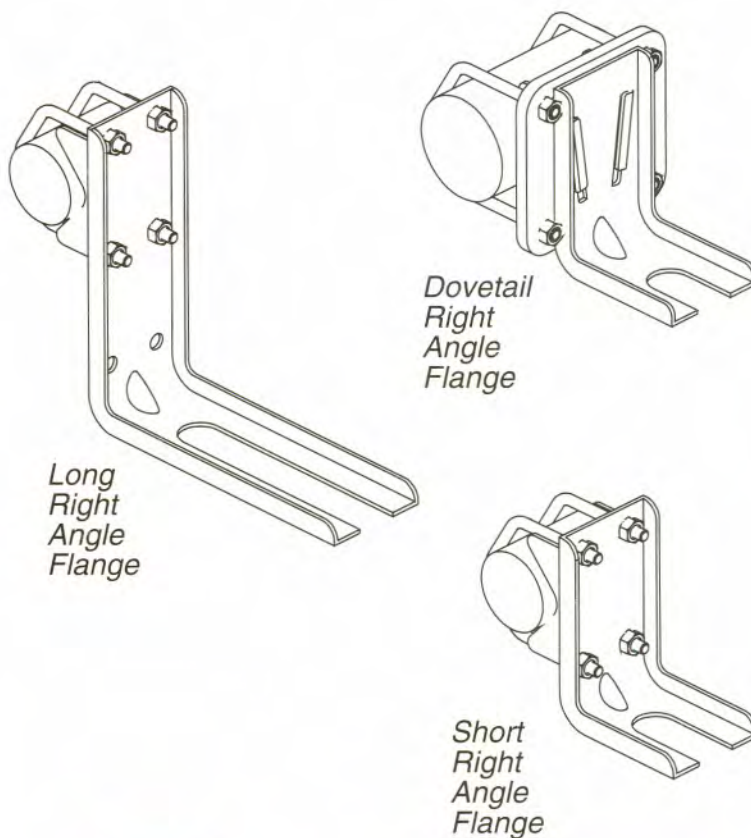


The Low-line Bracket is ideal for setting up TRU-TEST Milk Meters in low-line parlour installations ...

▶ **The clamp unit allows easy fitting** of the Milk Meter to a range of mounting flanges

Mounting flange options include:

- ▶ Short right angle flange set
 - ▶ Long right angle flange set
 - ▶ Dovetail right angle flange set
- ▶ **Solid bracket design** will restrict any movement of the Meter during operation



Local Distributor

Tru-Test Asia/Pacific

P.O. Box 51-078,
Auckland, New Zealand
Ph: +64 9 274 5799
Fax: +64 9 274 6367

Tru-Test USA

600 Sandau Rd, Suite 900
San Antonio, Texas, USA
Ph: +1 210 377 2885
Fax: +1 210 377 2932

Tru-Test Australia

P.O. Box 66,
Melbourne, Victoria 3172
Ph: +61 3 558 2537
Fax: +61 3 558 2537

Tru-Test Europe

15 Avenue de Segur
75007 Paris, France
Ph: +33 1 44 18 71 95
Fax: +33 1 44 18 71 99

Tru-Test Central Europe

H-1536 Budapest
P.O. Box 240, Hungary
Ph: +36 1 212 5084
Fax: +36 1 212 5160

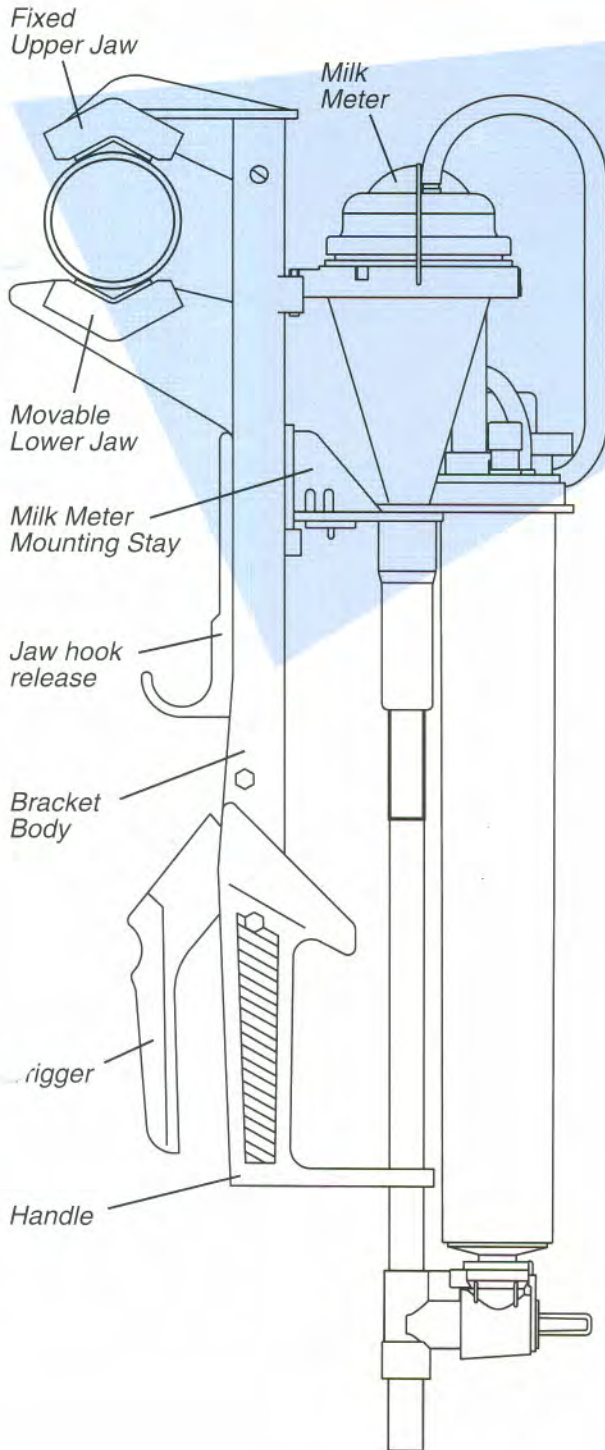
Tru-Test Eastern Europe

Chladkova 16
616 00 Brno, Czech Rep.
Ph: +42 5 749 616
Fax: +42 5 4121 5238



Milk Meters

Clamp Bracket



The Clamp Bracket allows TRU-TEST Milk Meters to be moved quickly from one milking point to another and is ideal for use in stanchion barn installations ...

◀ **An easy to use trigger and ratchet operation** enables efficient clamping and releasing

◀ **Lightweight rubber jaw covers** are available for fixing on glass milk lines
 - suitable for pipe sizes from diameter 45mm (1³/₄" to 65mm (2¹/₂")

◀ **Aluminium jaws** are available for fixing on stainless steel milk lines
 - suitable for pipe sizes from diameter 45mm (1³/₄" to 90mm (3¹/₂")

◀ **At the maximum clamping pressure** the Milk Meter is securely fixed and will not move during operation

◀ **The jaws are designed to ensure no damage** to glass or stainless steel milk lines will occur

Local Distributor

Tru-Test Asia/Pacific

P.O. Box 51-078,
Auckland, New Zealand
Ph: +64 9 274 5799
Fax: +64 9 274 6367

Tru-Test USA

600 Sandau Rd, Suite 900
San Antonio, Texas, USA
Ph: +1 210 377 2885
Fax: +1 210 377 2932

Tru-Test Australia

P.O. Box 66,
Melbourne, Victoria 3172
Ph: +61 3 558 2537
Fax: +61 3 558 2537

Tru-Test Europe

15 Avenue de Segur
75007 Paris, France
Ph: +33 1 44 18 71 95
Fax: +33 1 44 18 71 99

Tru-Test Central Europe

H-1536 Budapest
P.O. Box 240, Hungary
Ph: +36 1 212 5084
Fax: +36 1 212 5160

Tru-Test Eastern Europe

Chladkova 16
616 00 Brno, Czech Rep.
Ph: +42 5 749 616
Fax: +42 5 4121 5238



TRU-TEST®

Milk Meters