
Auto Sampler

This meter, formerly called the FV meter, has undergone numerous upgrades to meet more specific market niches.

The Auto Sampler accommodates fast sampling under all conditions and delivers a consistent sample size. No hose changes are needed during washing and the entire meter and sampler cleans easily in place. This meter also has a stronger lower valve housing than the old FV meter and now comes in a more compact size—82-pound capacity.

■ Installation

The meter should be mounted as close to vertical as possible. Within five degrees does not affect the accuracy. The meter should be located as close as possible to the milk line. All milk hoses from the claw/cluster to the meter and from the meter to the milk line should be kept to a minimum to avoid sagging and possible milk reading errors.

■ Operation

The sampler which accompanies this meter is delivered with the dial fully unscrewed (valve open). Shut the valve (turn the dial fully clockwise) before taking each sample.

At the end of milking,

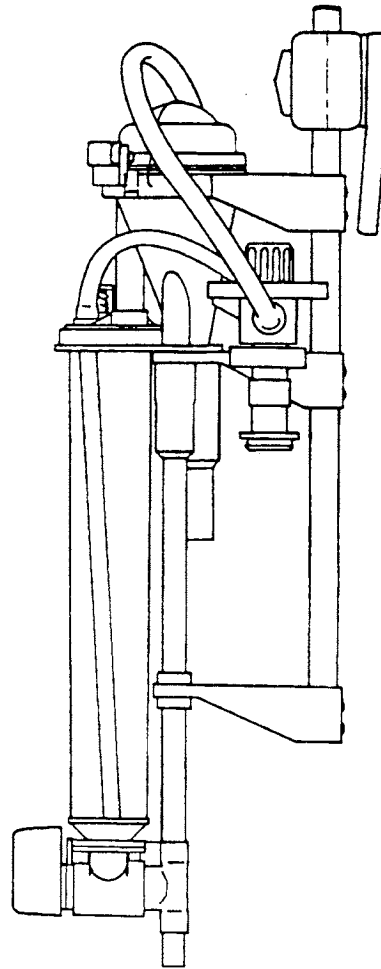
open the valve (turn the dial counter-clockwise) to the same reading as shown on the flask.

If you turn the dial too far, fully rewind it, leave it closed for 15 seconds, then start again. Open the air admission

valve by depressing the button for approximately one second or lifting the rubber flap until the flask is empty.

Return the dial to the fully closed position and exchange vials. The meter is now ready for the next cow.

The Auto Sampler Meter



■ Connection of Hoses

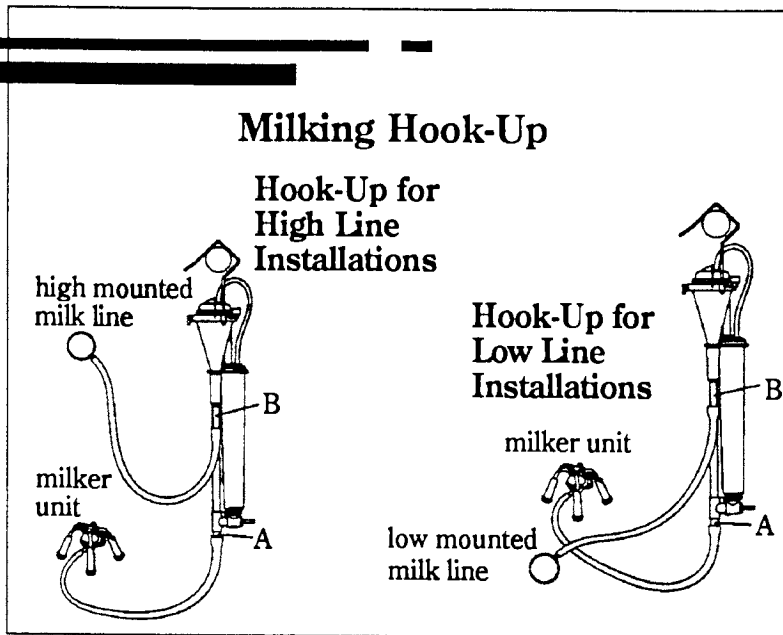
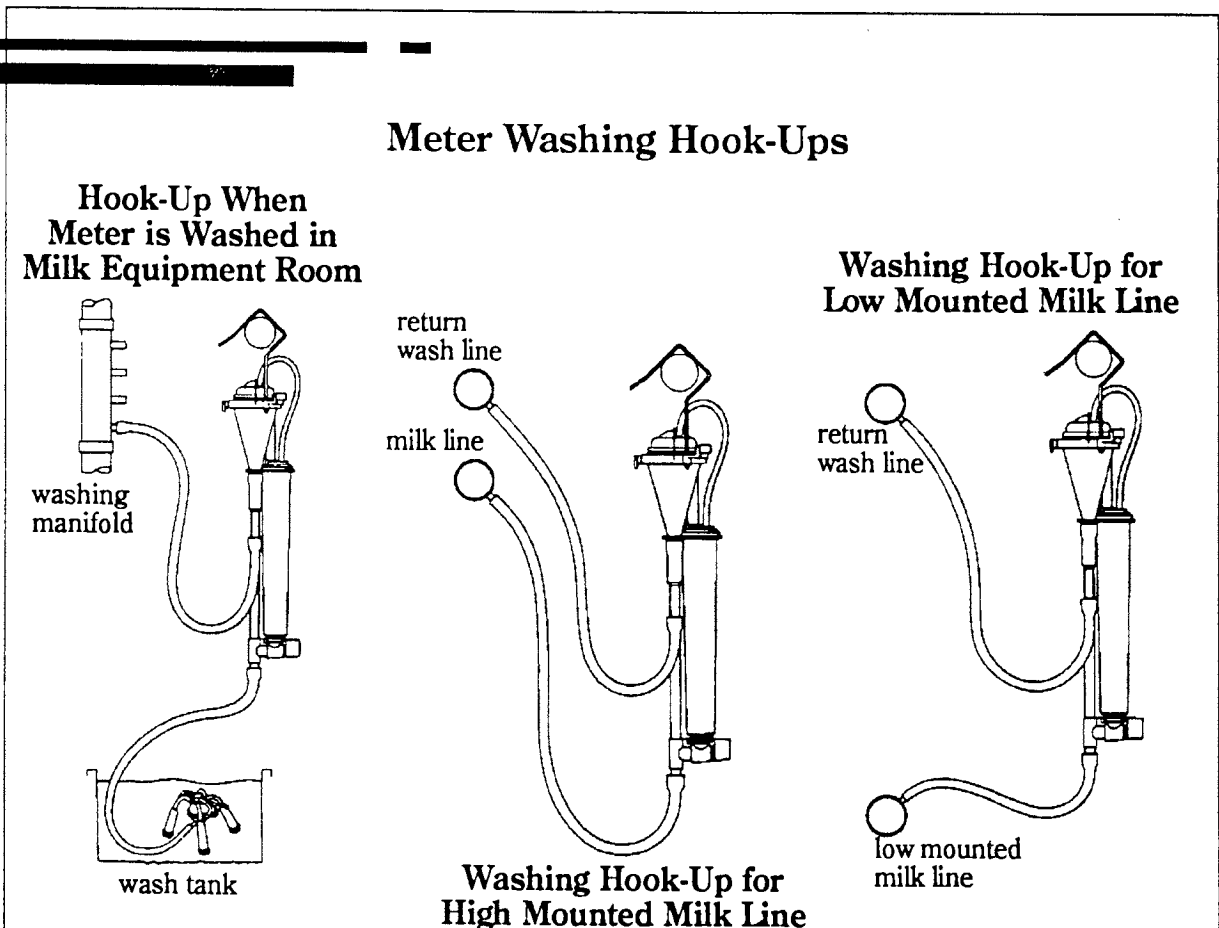


Figure 2

Figure 2: Attach the milk hoses from the milker (milking claw) to the milk meter inlet tube (A) and from the milk meter outlet tube (B) to the main milk line. Make sure the hoses are kept to a minimum to avoid sagging and consequently possible errors in reading the milk weights.

If a take-off unit is used, connect your meter between the take-off and the milk line.

■ Cleaning the Auto Sampler



■ Cleaning the Auto Sampler (continued)

There is no need to reverse hoses on this model—leave the hoses in the milking configuration.

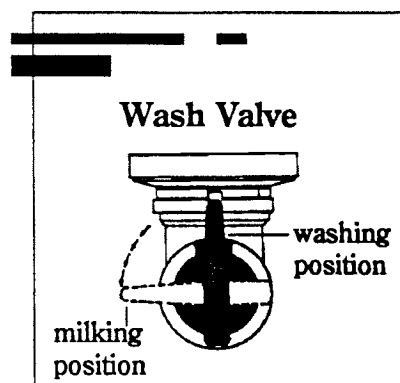
Valves should be taken apart and cleaned at least twice a month manually. Replace o-rings at least once a year.

Set the valve to 12 o'clock, the wash position. (see diagram at right). Turn the sam-

pler counter clockwise to the open position.

The o-ring on the sampling device needs to be cleaned daily. Once a week, brush lightly around and inside the sampler base and sealing ring groove area.

When not in use, the wash valve should be left in the milking position. •••



■ Troubleshooting

A guide to troubleshooting symptoms

Symptom

Solution

Flask Filling Too Fast

- Valve in wrong position
- Hoses reversed
- Wrong flask used
- Damaged meter cover or nozzle
- Bodmin Nu-pulse system
- Zero systems

- Place in milking position
- Correct hose connections
- Replace with correct flask
- Repair/replace
- Fit Bodmin adaptor on inlet tube
- Must use air vent between meter and any mechanical device to milker

Abnormal Reading

- Meter more than five degrees from vertical
- Flask sealing ring leaking air
- Defective wash valve
- Insufficient vacuum
- Dirty meter
- Air vent in milker unit plugged
- Damaged cover or meter body
- Cover deflector point damaged or blunt
- Cracked flask
- Nozzle partially obstructed
- Nozzle damaged

- Reposition to vertical
- Replace sealing ring
- Replace sealing rings or get serviced
- Increase vacuum by 1"
- Clean meter
- Clean air vent
- Replace component
- Replace component
- Replace component
- Remove obstruction carefully
- Replace component

No Sample in Flask

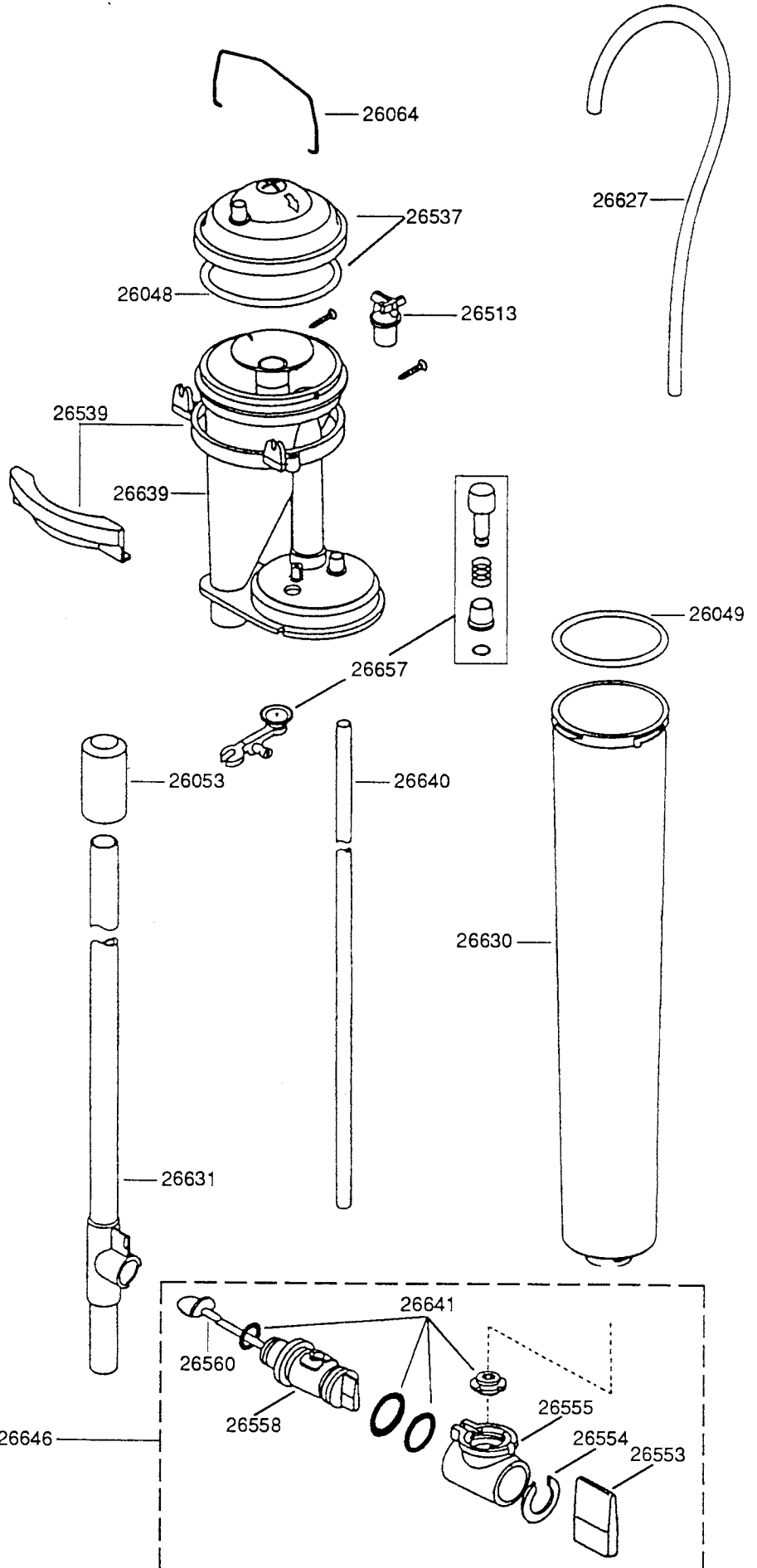
- Hoses not connected
- Flask not seated on sealing ring
- Rocker valve stuck
- Flask sealing ring damaged/missing
- Damaged flask
- Damaged meter cover or body
- Nozzle blocked
- Wash valve leaking air

- Connect tightly
- Tighten flask by turning clockwise
- Free rocker valve
- Replace component
- Replace component
- Replace component
- Clear obstruction carefully or replace component
- Replace component

FV Model

Part No.	Part Description
----------	------------------

- | | |
|-------|--|
| 26048 | body to cover seal ring |
| 26049 | flask-to-body seal ring |
| 26053 | inlet tube--rubber--7 cm (9/16" x 2.5") |
| 26064 | body cover clip |
| 26513 | nozzle (102 lb.)--green |
| 26516 | outlet sleeve--rubber--5 cm (5/8" x 2") |
| 26537 | cover--black top--with nipple added w/ o-ring |
| 26539 | mounting ring for FV |
| 26553 | FV lower valve handle |
| 26554 | FV lower valve circlip |
| 26555 | FV lower valve housing (outer) |
| 26558 | FV lower valve core (inner) |
| 26560 | FV lower valve baffle |
| 26562 | Use #26518--identical part |
| 26627 | silicone milk transfer tube |
| 26630 | FV flask 46kg (102 lb.) |
| 26631 | FV T-piece--long |
| 26639 | FV body--w/ push button air admission--(102 lb.) |
| 26640 | in-flask dip tube--FV meter--full-size |
| 26641 | lower valve o-ring set |
| 26646 | FV lower valve--complete assembly |
| 26657 | air admission kit--push button includes rocker |

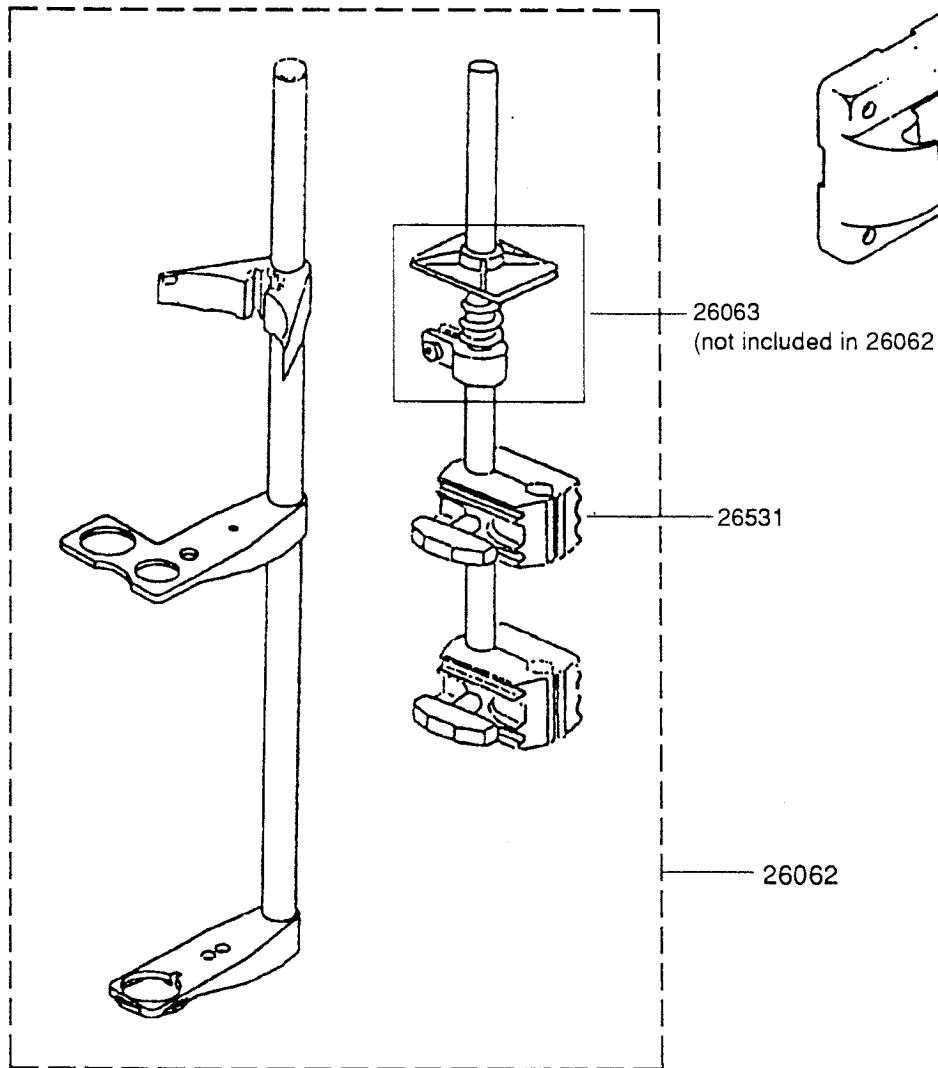
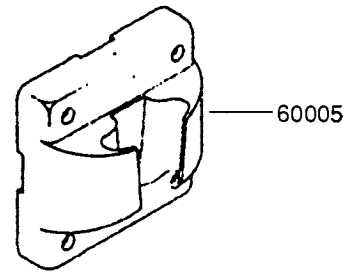
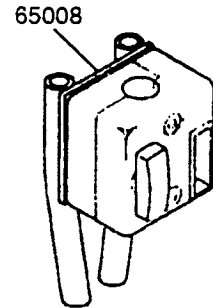


Extendible Tube Bracket

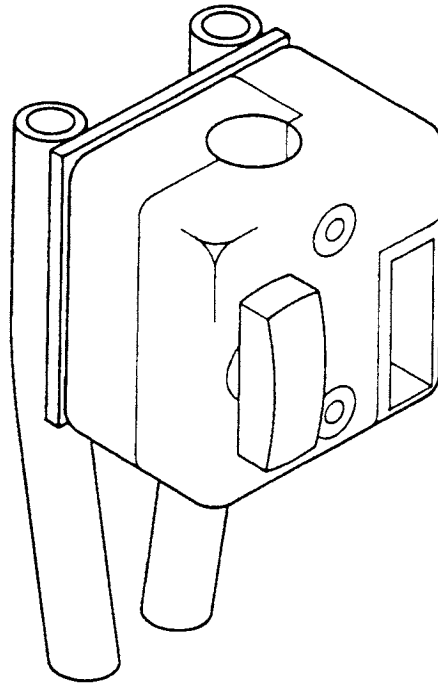
Part No.	Part Description
26062	extended tube bracket
26063	clamp spring unit
26531	tube clamp for extendible bracket
60005	V-bracket--plastic Order u-bolts #60007

If ordering from Northeast DHIA:
 V-bracket #CHP-2
 U-bolts #UBN

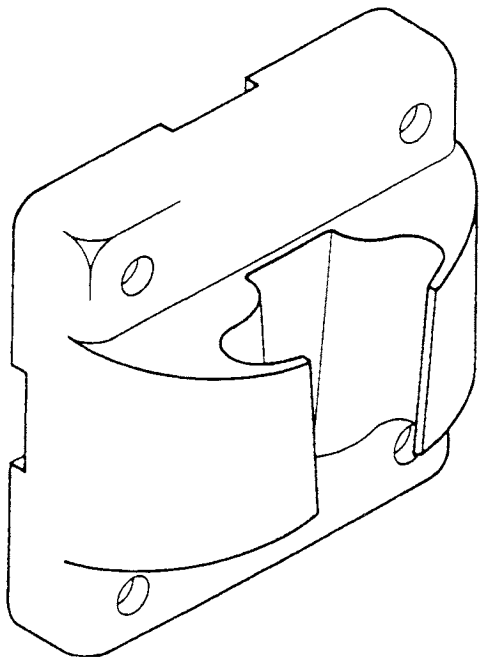
65008	clamp block w/ v-bracket (male)
-------	------------------------------------



Clamp Block & V-Bracket



65008
Clamp Block w/ V-Bracket
(Male)



60005
V-Bracket--Plastic
Order U-Bolts # 60007

Ratchet, Pawl & Trigger Kit

26482 consists of:

Part No.	Part Description
----------	------------------

26089	ratchet
26090	trigger assembly
26092	trigger return spring

26093	pawl assembly
26095	pawl rivot pin
26096	pawl return spring

