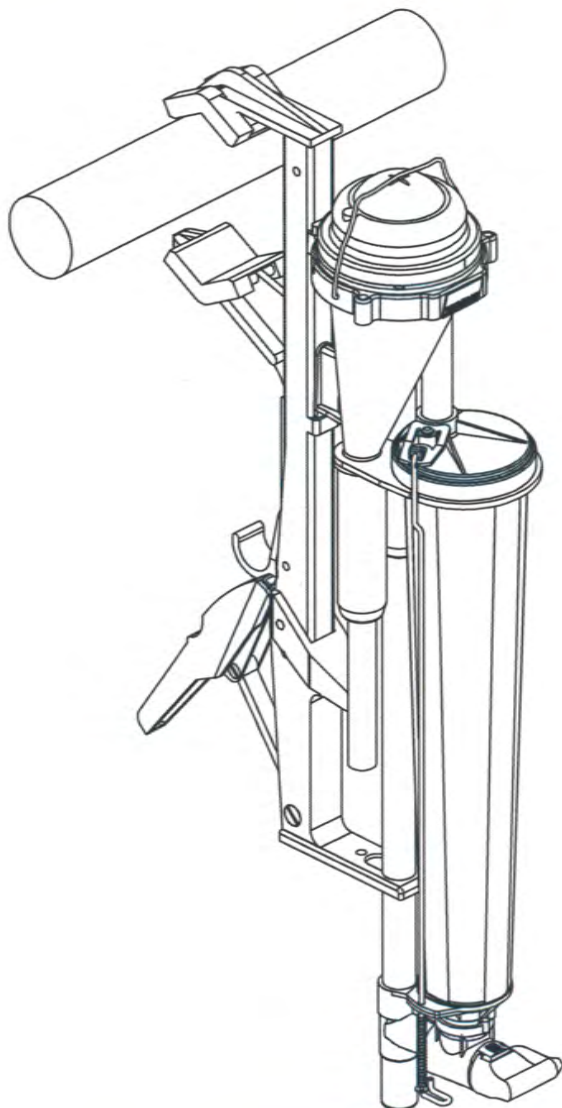


WB Series

TRU-TEST®

*"The new generation of Milk Meters
from Tru-Test"*

Milk Meters



WB EZI-TEST OPERATING INSTRUCTIONS

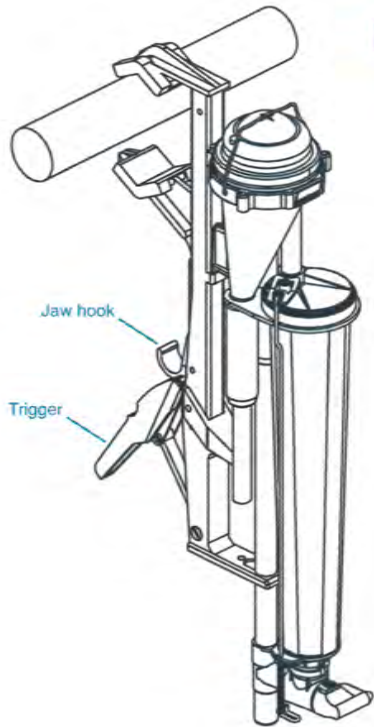
These instructions have been written to assist you with the installation and operation of your Tru-Test Milk Meter. Please keep for your future reference.

For further assistance, your local Tru-Test distributor is trained and willing to help.

DISTRIBUTOR

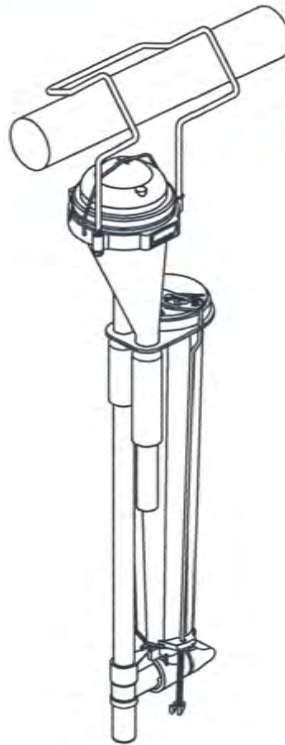
--

Installation and Brackets



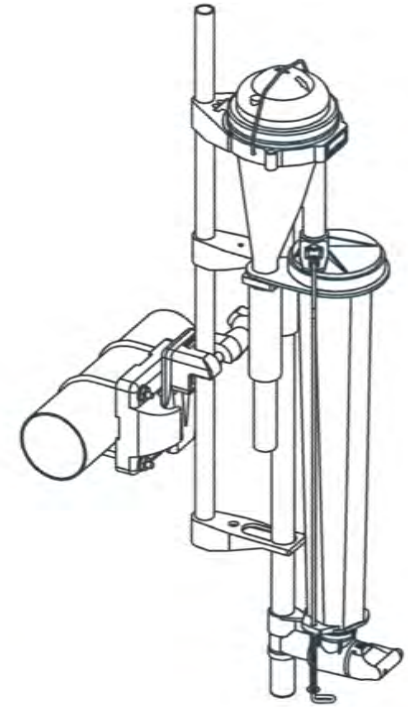
Super-Clamp Bracket

To install, extend the jaws to the open position by pulling down on the jaw hook, place jaws over the pipe and hold bracket down whilst closing trigger to clamp firmly onto pipe. To remove, release trigger and push Meter up.



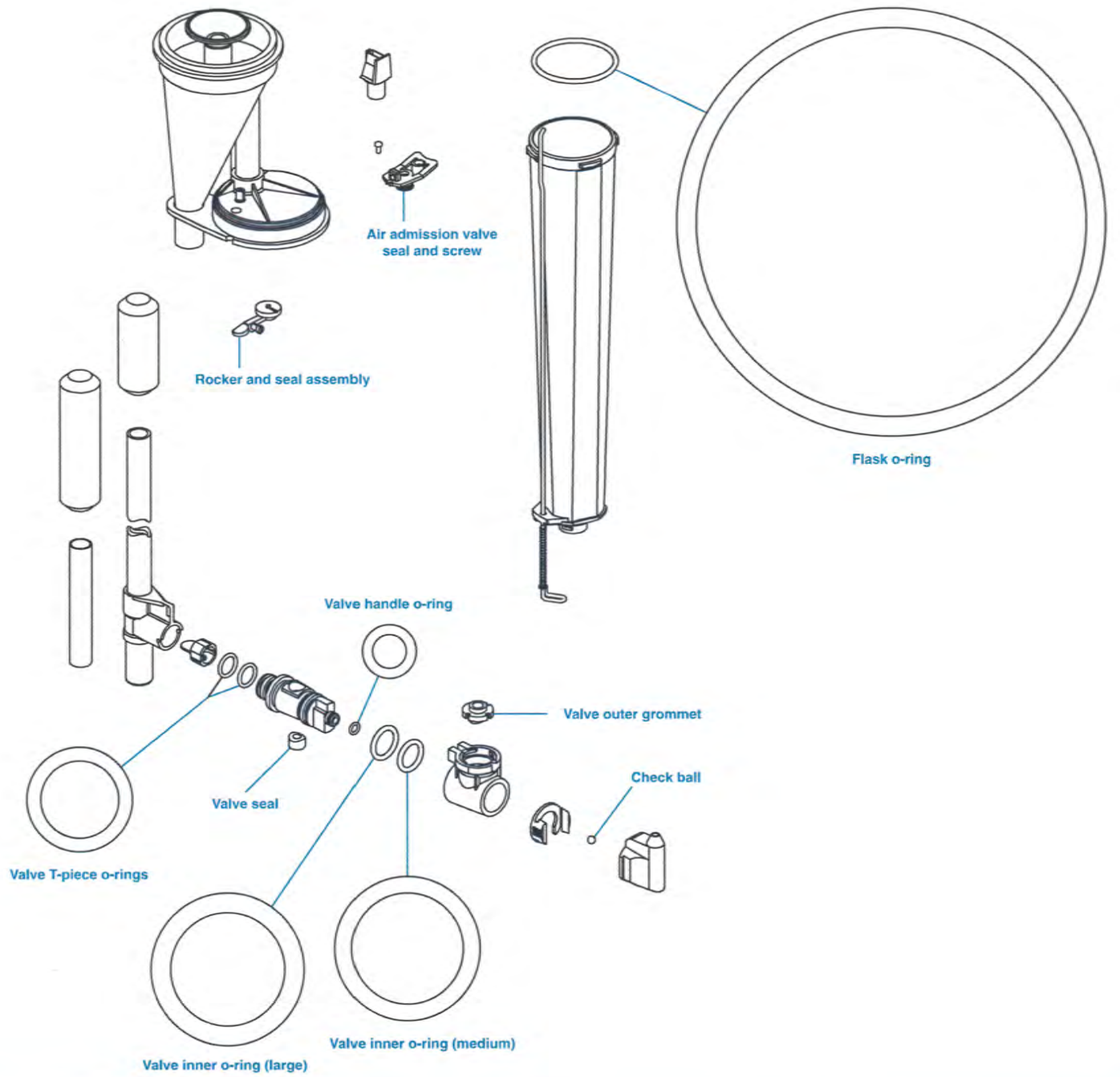
Hanger Hook

Two sizes of Hanger Hooks are available; these being 90mm and 60mm. Simply hang Meter over pipework taking into account the above installation guide lines.



Multi-Grip Bracket

To install, firmly attach dovetail flange to fascia board, steel member or pipe, with the slotted section in the vertical plane. Adjust the multi-grip dovetail to the height required on the tube bracket, then slide into dovetail flange.



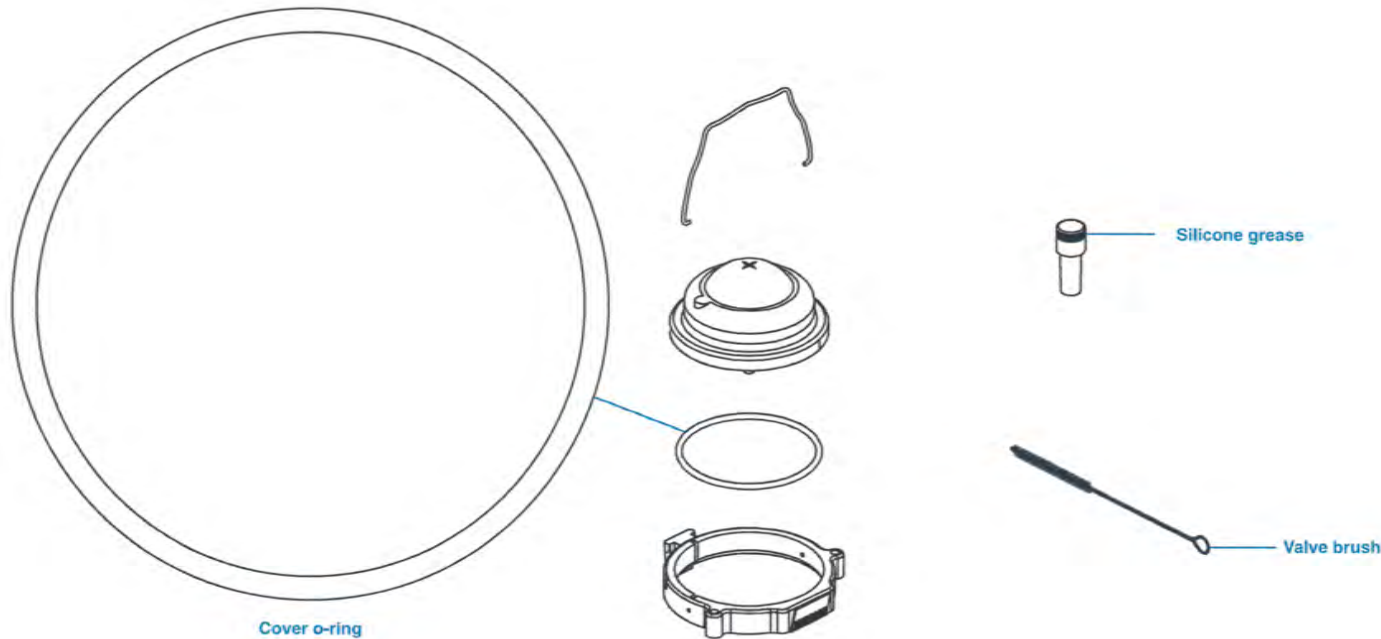
Maintenance

Periodically disassemble the valve and smear valve inner and O-rings with a silicone base food grade lubricant. We recommend Dow Corning No.7 Release Compound (supplied in the Tru-Test Service Kit). Do not use Hydro-carbon (petroleum) based lubricants as damage to the valve, O-rings or grommet may occur, resulting in valve failure.

When not in use the valve must be left in the Milk position.

Service Kit

To assist in maintaining your Milk Meter equipment, Tru-Test offers a service kit complete with all rubber components and easy to follow instructions. We recommend you service your WB Ezi-Test Milk Meter with the following parts provided in the Tru-Test service kit.



Connection of Hoses

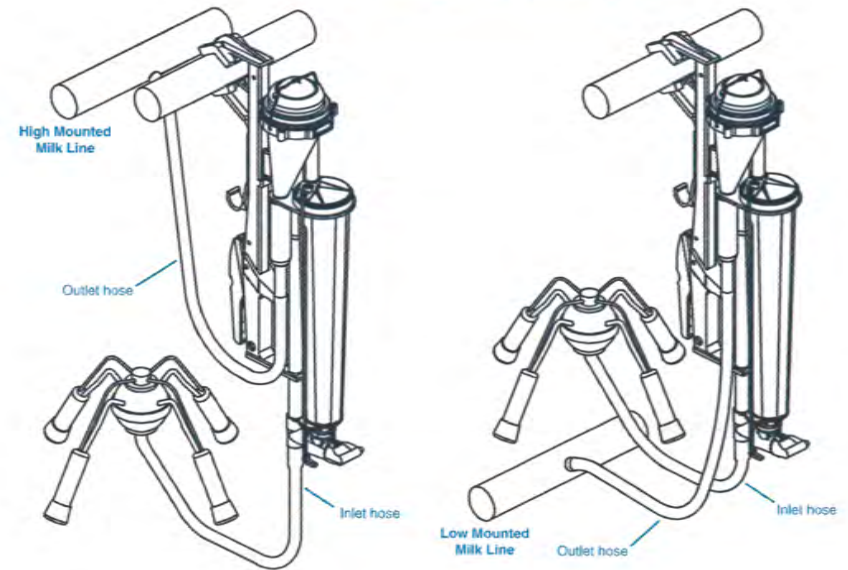
Attach the milk hoses from the milking claw to the Milk Meter inlet hose, and from the Milk Meter outlet to the milk line. Ensure that hoses are kept to a minimum to avoid sagging and therefore possible errors in milk yield reading. If a take-off unit is used, connect your Milk Meter between the take-off and the milk line.

Operating Your Meter and Taking a Sample

During milking, milk flows up the Milk Meter inlet tube onto the cover, where the milk spreads evenly and an exact proportion passes through a nozzle to the calibrated flask. The rest of the milk flows out through the Milk Meter outlet and to the milk line.

1. At the end of each milking, shut off the claw vacuum and remove the milking claw.
2. Record the milk yield by reading from the bottom of the meniscus (i.e. do not include the froth at the top of the sample in the reading).
3. To sample, lift the air admission push rod upwards for a moment to release the flask vacuum, then immediately turn the valve to the **Stir & Sample** position. Controlled air admission will allow consistent stirring of the sample. If the flask is less than half full of milk, stir for 5 seconds. If the flask is more than half full of milk, stir for 10 seconds.
4. Place the sample vial under the valve outlet. Lift the air admission push rod upwards with the lip of the sample vial, or your thumb, until you have the required sample.
5. Remove the remaining milk in the flask by turning the valve to the **Wash & Empty** position. Lift the air admission push rod upwards to empty the flask. Push again to ensure that all the milk is removed from the flask and valve.
6. **When not in use, the valve must be left in the Milk position.**

Milking Hook-Up



Lift to
Sample
& Empty



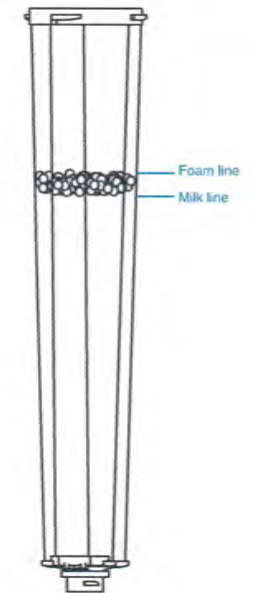
Stir &
Sample



Wash &
Empty



Milk



Washing Your Meter

Manual Cleaning

Wipe exterior surfaces with a clean damp cloth to remove dirt.
Wash the Milk Meter in a hot detergent solution and rinse thoroughly with clean warm water.

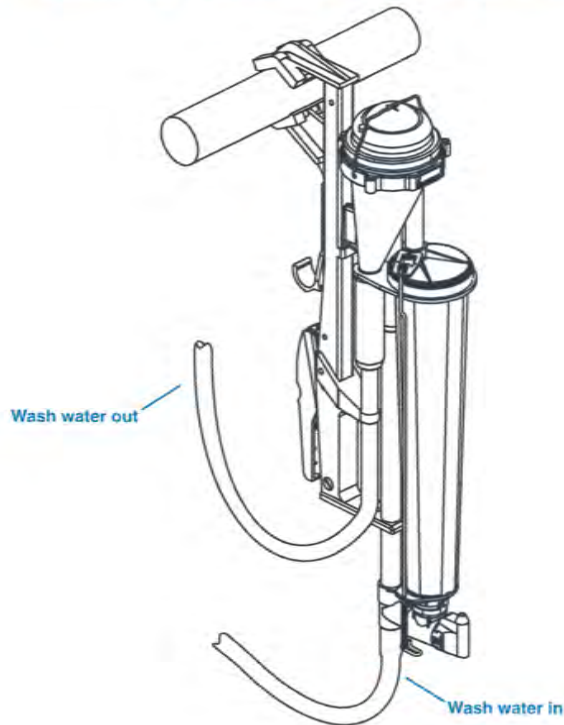
Cleaning in Place

For your convenience, the Ezi-Test Milk Meter is designed for in-line washing. Connect hoses as shown below, and turn the valve to the **Wash & Empty** position. (Empty cold water from the flask before the hot wash commences). Near the end of the wash cycle, turn the valve to the **Stir & Sample** position so the flask drains through the valve outlet.

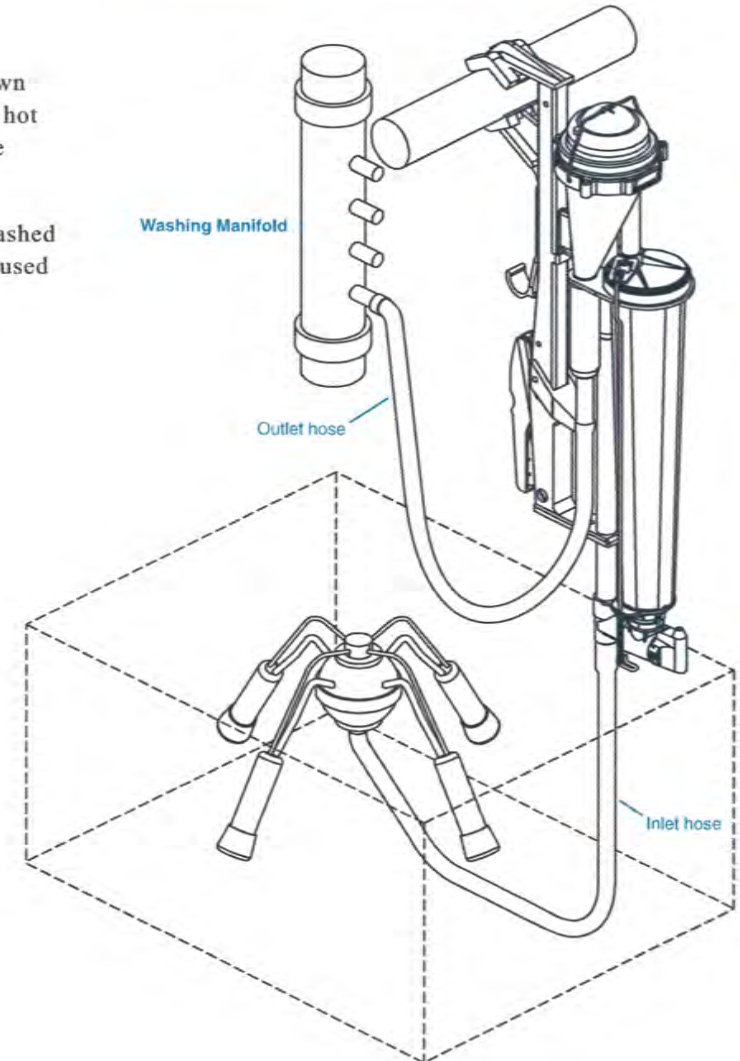
After each AM / PM sampling day, the valve should be dismantled and the sampling ports manually washed with the brush supplied. We recommend that abrasive detergents are not used, and that detergents are used at strengths recommended by the manufacturer.

When not in use, the valve must be left in the Milk position.

Washing Hook-up (if washed in place)



Washing Hook-up (if washed in utensil room)



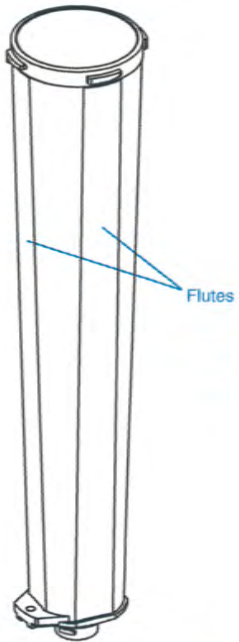
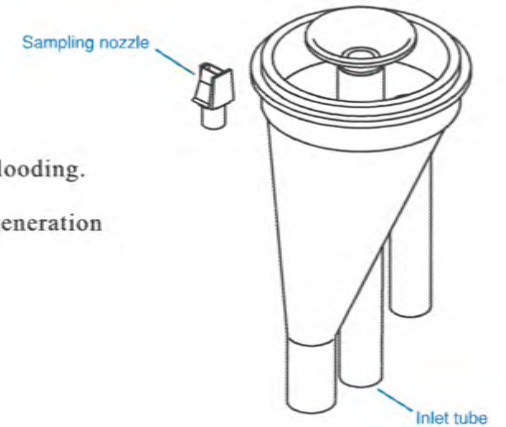
Benefits Offered by New WB Components

Wide Body

Wider inlet tube enables faster milking times.

High flow rate milking cows have less effect on Milk Meter and claw flooding.

Use of clear polysulfone plastic allows easy identification of the new generation WB Milk Meters.



Wide Flask

Unique concave flutes provide protection for the flask print and a level gauge for reading.

TroubleShooting

Symptom

Solution

Abnormal Reading

Milk Meter more than 5° from vertical	Reposition to vertical
Flask sealing ring leaking air	Replace flask sealing ring
Defective valve	Replace sealing rings or send Milk Meter to service centre
Insufficient vacuum	Have milking plant checked
Dirty Milk Meter	Remove from operation and clean
Air hole in cluster cap plugged	Clean air hole
Cracked cover or body	Replace cover or body and water test
Cover deflector point damaged or blunt	Replace cover and water test
Cracked flask	Replace flask
Partially plugged / obstructed nozzle	Carefully clean obstruction or nozzle
Damaged nozzle	Replace nozzle and water test

Flask Filling Too Fast

Hoses reversed	Install hoses correctly, milk cluster to Milk Meter inlet tube
Wrong nozzle used	Use proper nozzle size
Damaged cover or metering nozzle	Replace part and water test or send Milk Meter to service centre
Valve in wrong position	Place valve in Milk position
Damaged or worn valve outer grommet	Replace grommet

No Sample in Flask

Hoses not connected	Connect tightly
Flask seal in Milk Meter body pinched or missing	Replace flask seal and reseal properly
Damaged flask	Check sealing edge / replace or send to service centre
Rocker valve stuck	Free or replace rocker valve
Cracked cover or body	Replace cover or body and water test
Partially plugged / obstructed nozzle	Carefully clean obstruction or nozzle
Damaged valve leaking air	Try another valve / if persists send to service centre
Valve not in Milk position	Turn to Milk position
Air admission valve open	Repair or replace air admission valve

Product Guarantee

THIS PRODUCT IS GUARANTEED AGAINST FAILURE OR BREAKDOWN DURING NORMAL OR RECOMMENDED USE FOR ONE YEAR FROM THE DATE OF PURCHASE.

Conditions of Guarantee

- The unit must have been used in accordance with the manufacturer's instructions supplied with each unit.
- The faulty unit must be returned to a service agent accredited by the distributor.
- This guarantee relates only to the standard of manufacture and the manufacturer will not be liable for any injury or damage sustained in the use of the product.
- This guarantee covers defective parts and faulty workmanship; it does not extend to wear and tear and defects resulting from other factors. It shall not apply when the unit has not been continuously in the possession of the purchaser.
- All claims under the guarantee must be made through the outlet from whom the unit was purchased and they will refer the claim to the distributor.

TRU-TEST®

Tru-Test Limited, Auckland, New Zealand, www.tru-test.com