

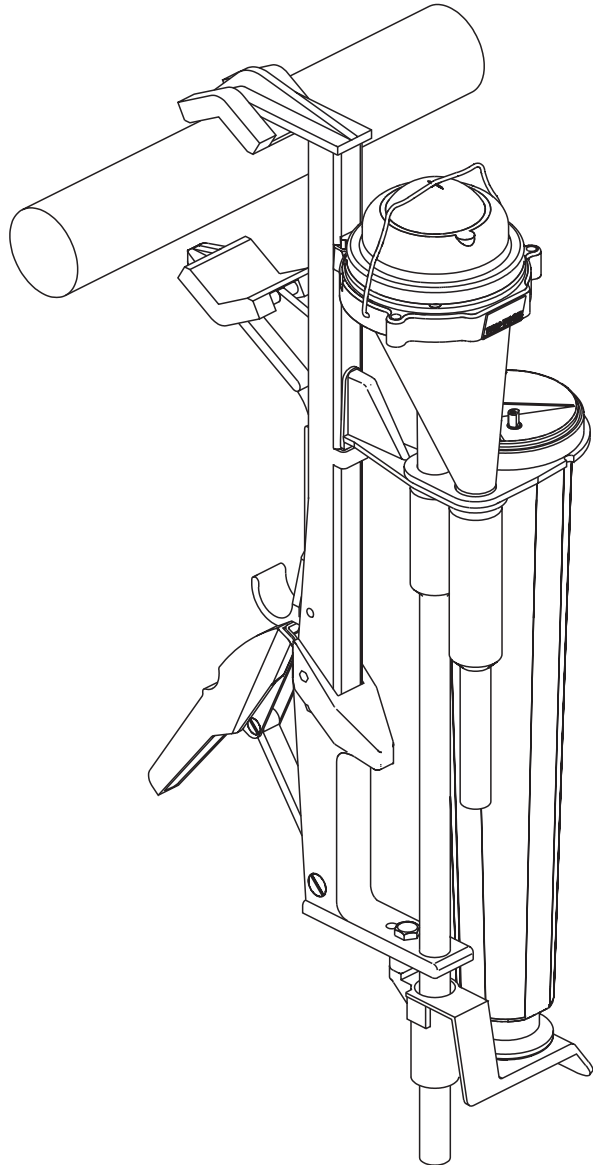
Wide Body Series

TRU-TEST®

"The new generation of Milk Meters

from Tru-Test"

Milk Meters



OPERATING INSTRUCTIONS

These instructions have been written to assist you with the installation and operation of your Tru-Test Milk Meter.

Please keep for your future reference.

For further assistance, your local Tru-Test distributor is trained and willing to help.

DISTRIBUTOR

--

Installation and Brackets

In all cases the Milk Meter should be mounted in a vertical position.

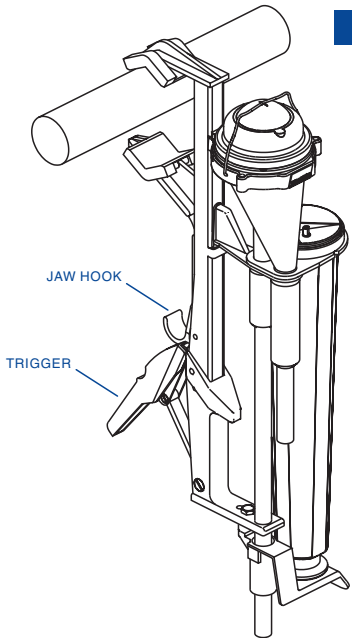
The Milk Meter should be located as close as possible to the milk line.

All milk hoses from the claw to the Milk Meter, and from the Milk Meter to the milk line, should be kept to a minimum to avoid excessive vacuum drop, slower milking and possible milk yield errors.

Your Milk Meter is equipped with one of the mounting brackets (or similar) shown below.

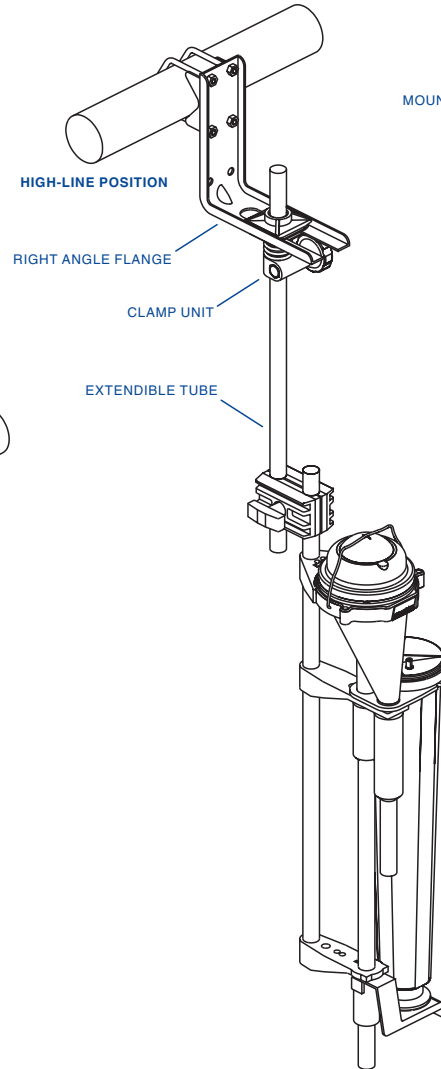
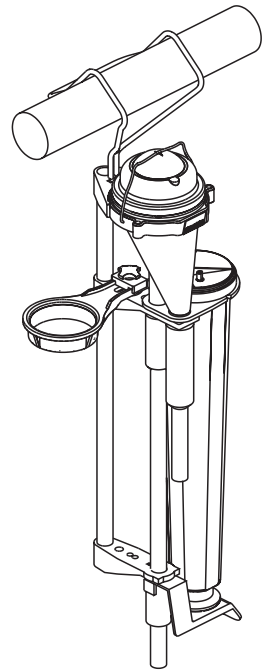
Super-Clamp Bracket

To install, extend the jaws to the open position by pulling down on the jaw hook, place jaws over the pipe and hold bracket down whilst closing trigger to clamp firmly onto pipe. To remove, release trigger and push Meter up.



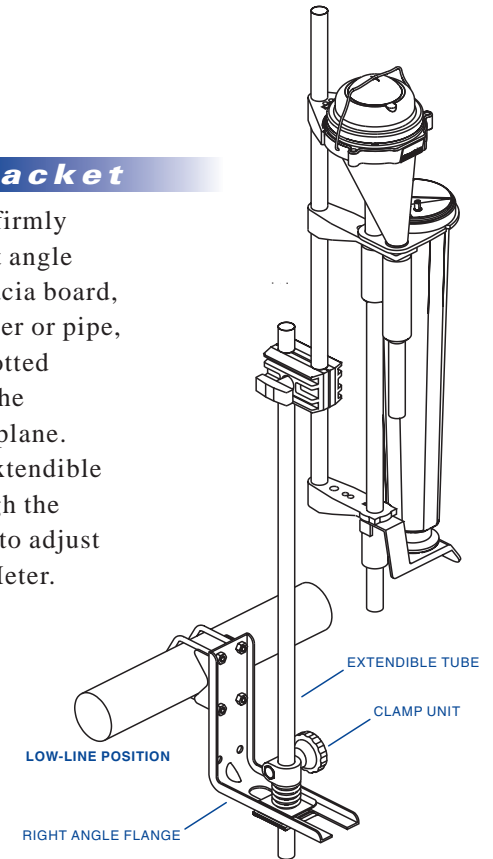
Hanger Bracket

Two sizes of Hanger Brackets are available; these being 3" and 2". Simply hang Meter over pipework taking into account the above installation guide lines.



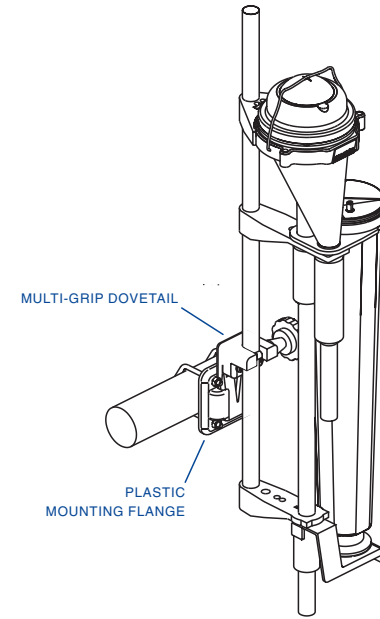
Tube Bracket

To install, firmly attach right angle flange to fascia board, steel member or pipe, with the slotted section in the horizontal plane. Slide the extendible tube through the clamp unit to adjust height of Meter.



Multi-Grip Bracket

To install, firmly attach plastic mounting flange to fascia board, steel member or pipe, with the slotted section in the vertical plane. Slide the Multi-Grip dovetail into the plastic mounting flange.



Connection of Hoses

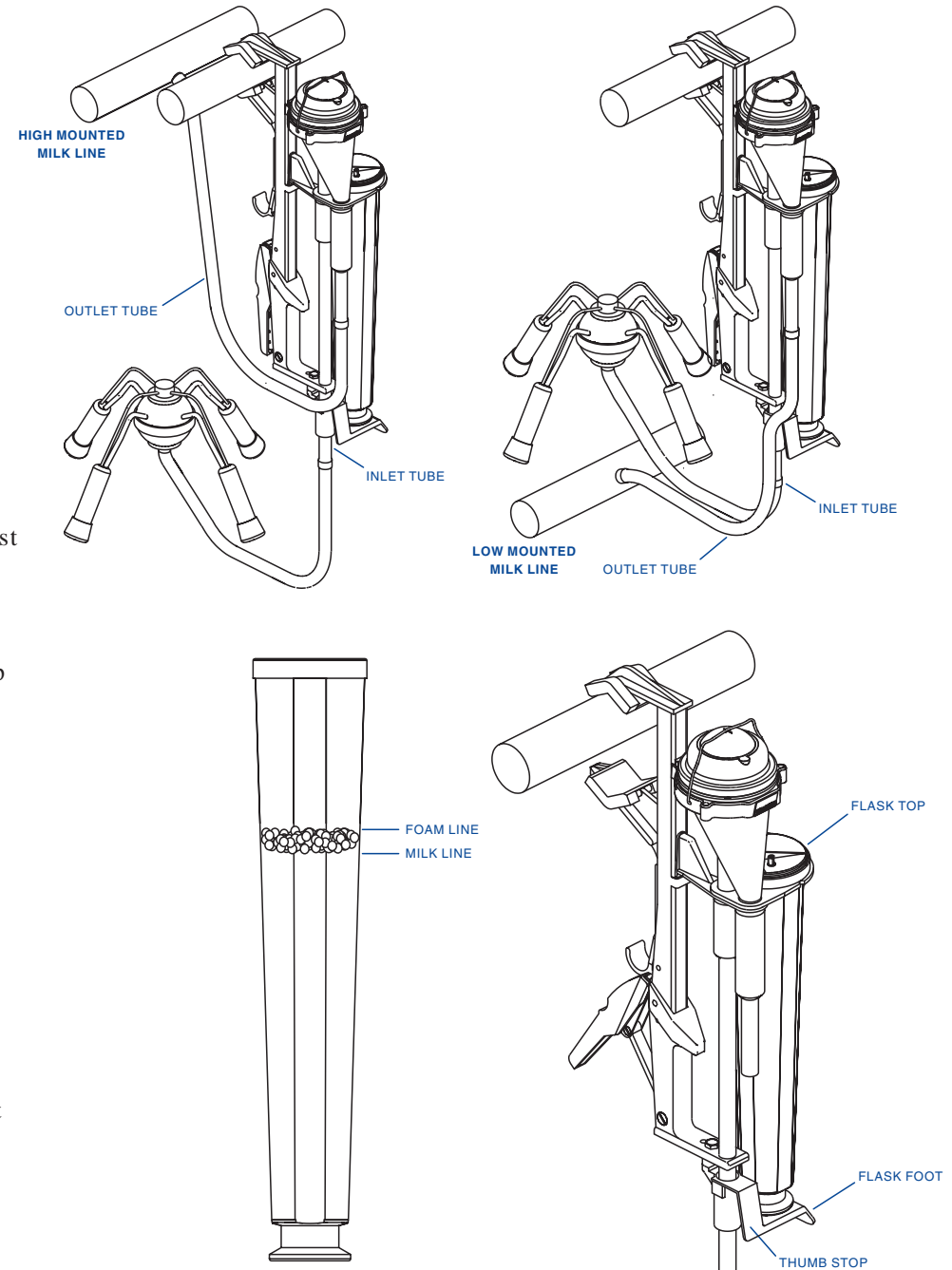
Attach the milk hoses from the milking claw to the Milk Meter inlet tube and from the Milk Meter outlet to the milk line ensuring that hoses are kept to a minimum to avoid sagging and consequently possible errors in milk yield reading. If a take-off unit is used, connect your Milk Meter between the take-off and the milk line.

Operating Your Meter Removing the Flask and Taking a Sample

During milking, milk flows up the Milk Meter inlet tube onto the Meter cover, where the milk spreads evenly and an exact proportion passes through a nozzle to the calibrated flask. The rest of the milk flows out through the Milk Meter outlet and to the milk line.

1. As each cow finishes milking, remove the flask by pushing down on the lower end of the flask foot with the palm of your hand. While doing this place your thumb on the thumb stop on the side of the flask foot. Simultaneously pull on the flask to free it from the seal in the flask top. As this happens a shut off valve closes the Milk Meter outlet to prevent loss of vacuum.
2. Replace this flask with an empty flask by putting the upper lip of the new flask into the inside edge of the seal in the flask top. Then snap the flask back into the flask support foot.
3. To record the milk weight, hold the flask you have removed from the Meter so that it is vertical and the milk line is at eye level. If a flask hanger is supplied, the flask can be hung from a pipeline until the user is ready to record yield and take a sample. Alternatively, the flask can be stood on a flat, even surface.
4. Be careful to read the milk line (bottom of the meniscus) and not the foam line. To assist, it is useful to have a bright light behind the flask.
5. To take a composite milk sample, cap the flask, then invert the flask at least two or three times to mix sample, then decant the required volume into a small sample vial.

Milking Hook-Up



Washing Your Meter

Manual Cleaning

Wipe exterior surfaces with a clean damp cloth to remove dirt.
Wash the Milk Meter in a hot detergent solution and rinse thoroughly with clean warm water.

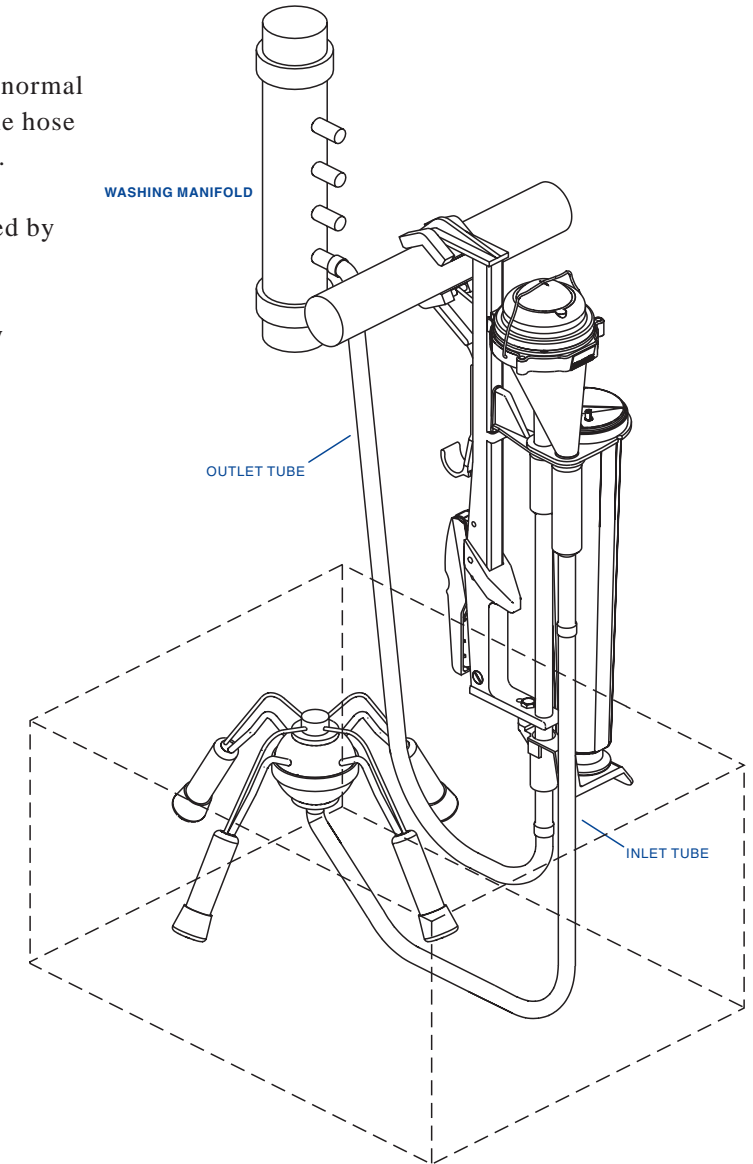
Cleaning in Place

Connect the hoses so that the detergent solution flows through the Milk Meter in the opposite direction to normal i.e. entering the Meter via the exit and exiting the Meter via the inlet. This normally involves reversing the hose connections. Flasks and sealing rings will require separate handwashing after the Meter has been cleaned.

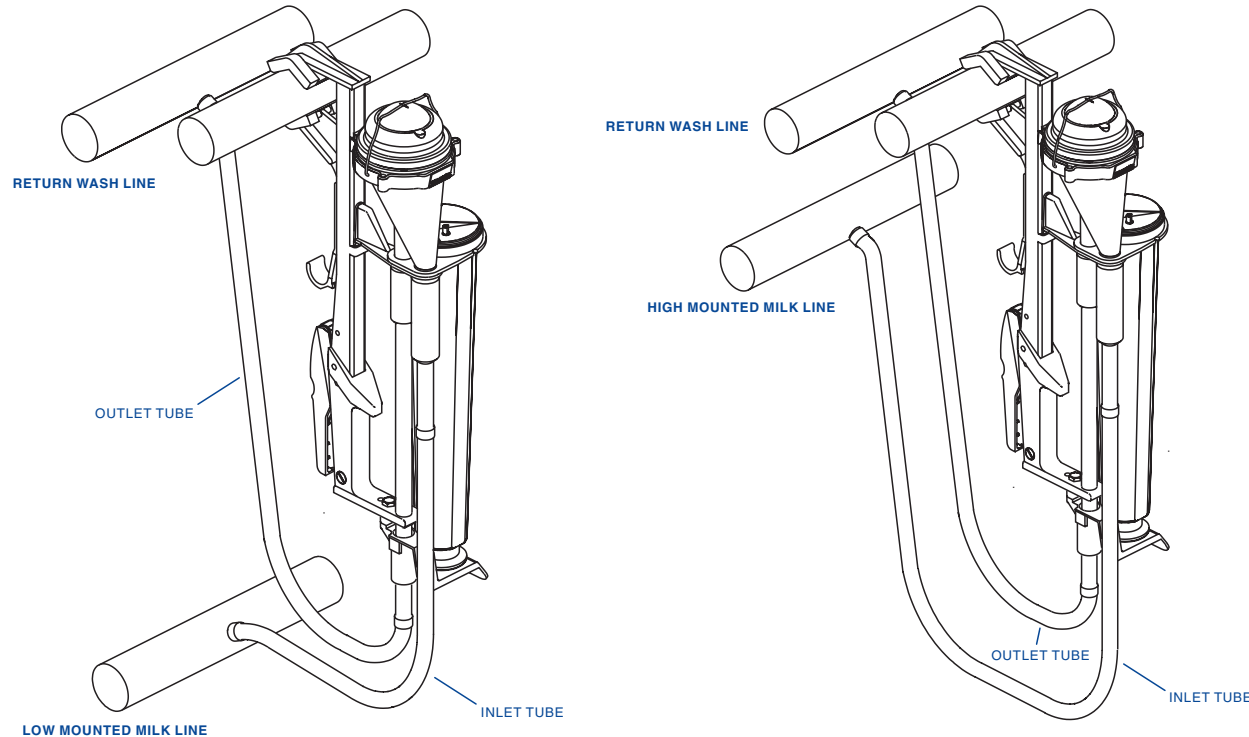
We recommend that abrasive detergents are not used and that detergents are used at strengths recommended by the chemical manufacturer.

The use of brushes other than those supplied by Tru-Test on plastic surfaces must be avoided, as they may permanently affect metering accuracy.

Washing Hook-up (if washed in utensil room)



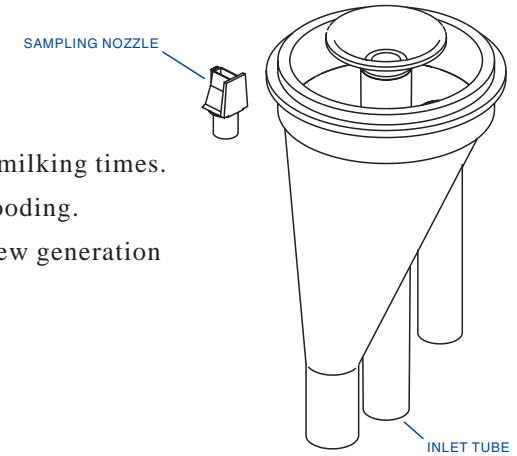
Washing Hook-up (if washed in place)



Benefits Offered by New Wide Body Components

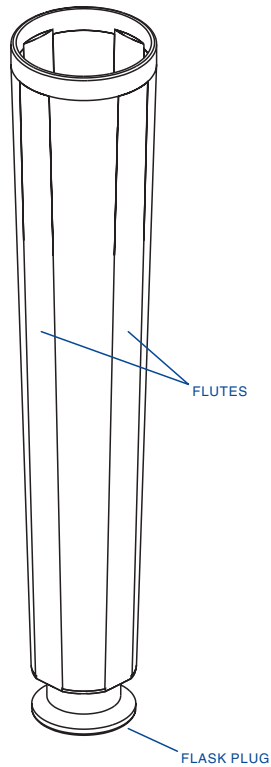
Wide Body

Green sampling nozzle enables greater Meter capacity.
Wider inlet tube and internal diameter milking tube enables faster milking times.
High flow rate milking cows have less effect on Meter and claw flooding.
Use of clear polysulfone plastic allows easy identification of the new generation Wide Body Meters.



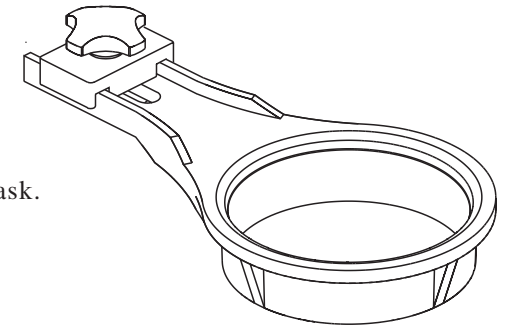
Wide Flask

Unique concave flutes provide protection for the flask print and a level gauge for reading.
Flask design enables easy gripping of flask for removal and turning.
Meter capacity has been increased to 110 lb yields with a shorter length flask.
Rubber flask plug has a flat base to allow flasks to be stood on a horizontal surface.



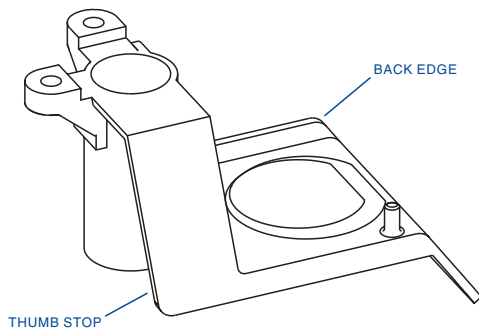
Flask Holder

Lightweight, strong and compact design enables ideal placement for spare flask.
Adjustable fitting allows the user to position the holder to suit.



Flask Foot

Ergonomic design enables palm or thumb placement for ease of flask removal.
Back edge of foot ensures flask can be readily snapped into position on the Meter.



Troubleshooting

Symptom

Solution

Abnormal Reading

Milk Meter more than 5 degrees from vertical	Reposition to vertical
Flask seal leaking air	Replace flask seal (should be replaced at least once a year)
Insufficient vacuum	Have milking plant checked
Dirty Milk Meter	Remove from operation and clean
Air hole in claw cap plugged	Clean air hole
Cracked cover or body	Replace cover or body
Cover deflector point damaged or blunt	Replace cover
Cracked flask	Replace flask
Partially plugged/obstructed nozzle	Carefully clean obstruction or nozzle
Damaged nozzle	Replace part and re-test

Flask Filling Too Fast

Hoses reversed	Install hoses correctly, with the milk cluster connected to the Milk Meter inlet tube
Wrong nozzle used	Use proper size nozzle
Damaged cap or metering nozzle	Send to Milk Meter service centre or replace part

No Sample in Flask

Hoses not connected	Connect tightly
Flask seal in Milk Meter body pinched or missing	Replace flask seal and reset properly (should be replaced at least once a year)
Damaged flask	Check sealing edge/replace or send to Milk Meter service centre
Rocker valve stuck	Free or replace rocker valve
Cracked cover or body	Replace cover or body
Partially plugged/obstructed nozzle	Carefully clean obstruction or nozzle

Product Guarantee

THIS PRODUCT IS GUARANTEED AGAINST FAILURE OR BREAKDOWN DURING NORMAL OR RECOMMENDED USE FOR ONE YEAR FROM THE DATE OF PURCHASE.

IN ADDITION THE FOLLOWING ARE GUARANTEED FOR A FURTHER TWO YEARS

- Meter Body guaranteed to remain within specified tolerance levels when tested using a Tru-Test approved Water Test Rig.
- Flask printing guaranteed to remain legible under recommended washing and use procedures.

Conditions of Guarantee

- The unit must have been used in accordance with the manufacturer's instructions supplied with each unit.
- The faulty unit must be returned to a service agent accredited by the distributor.
- This guarantee relates only to the standard of manufacture and the manufacturer will not be liable for any injury or damage sustained in the use of the product.
- This guarantee covers defective parts and faulty workmanship; it does not extend to wear and tear and defects resulting from other factors. It shall not apply when the unit has not been continuously in the possession of the purchaser.
- All claims under the guarantee must be made through the outlet from whom the unit was purchased and they will refer the claim to the distributor.

TRU-TEST®

Tru-Test Limited, Auckland, New Zealand, www.tru-test.com